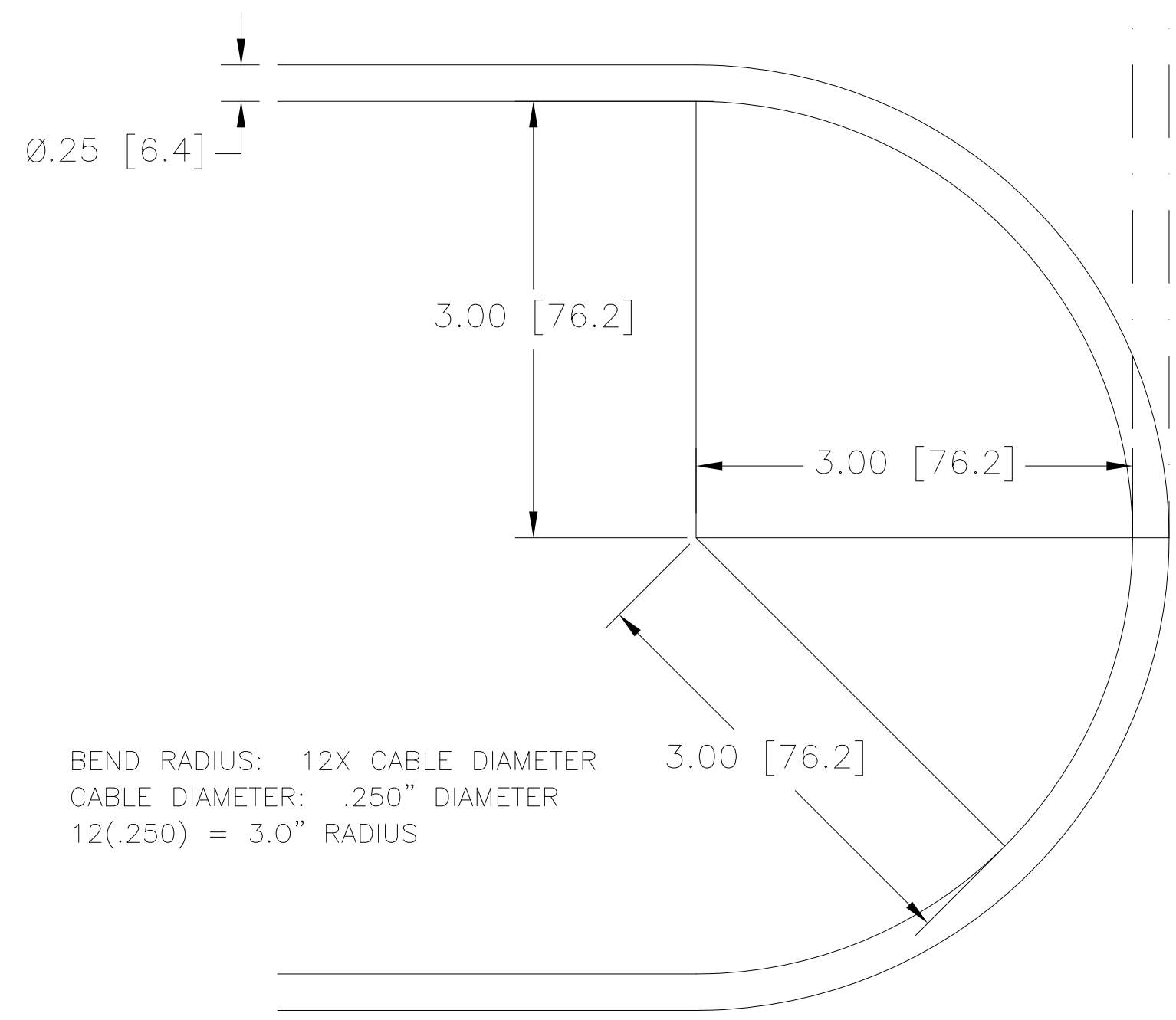
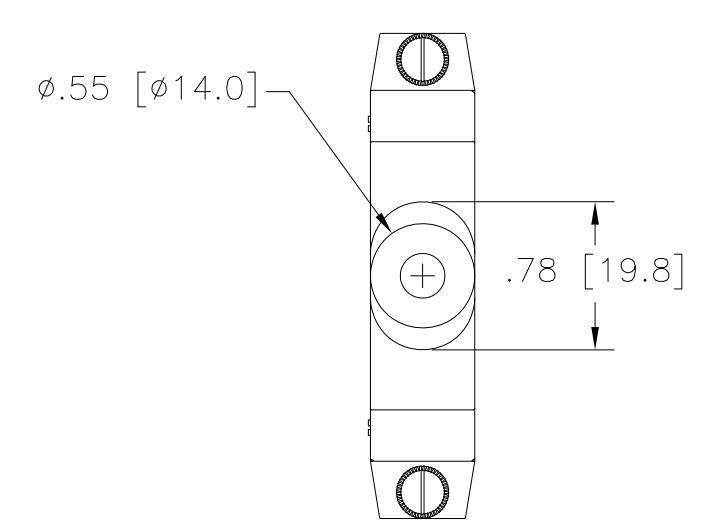
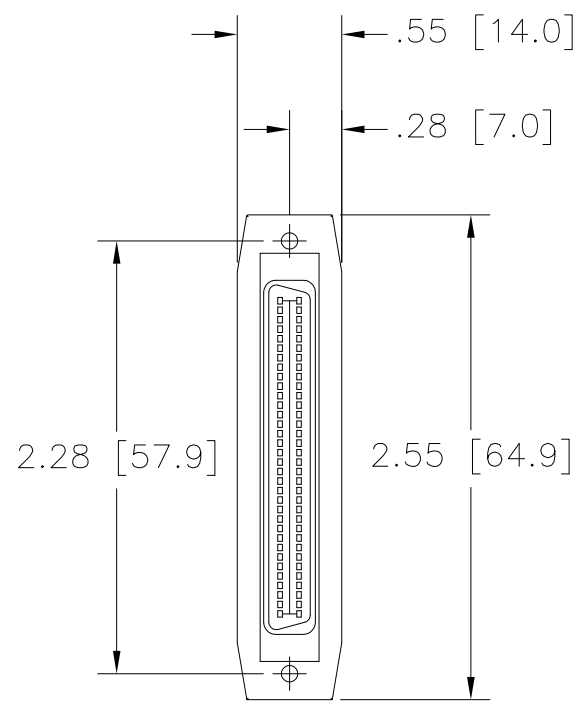
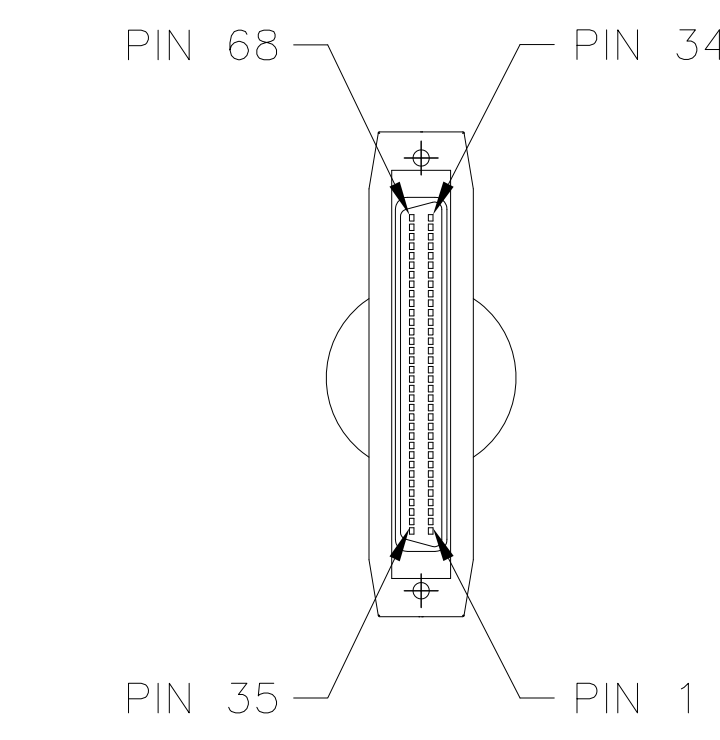
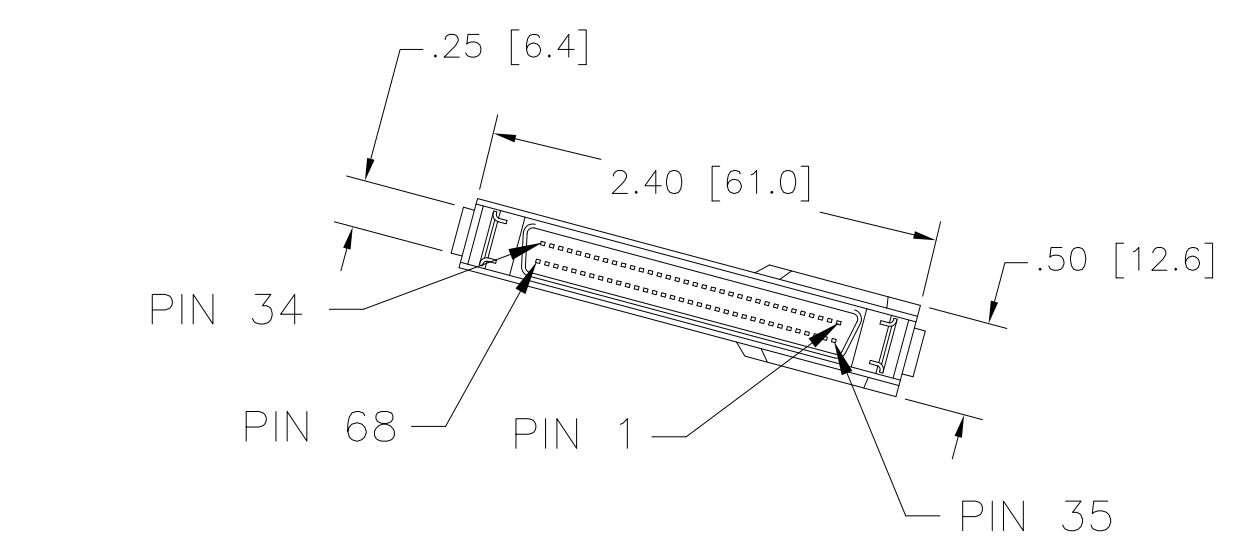
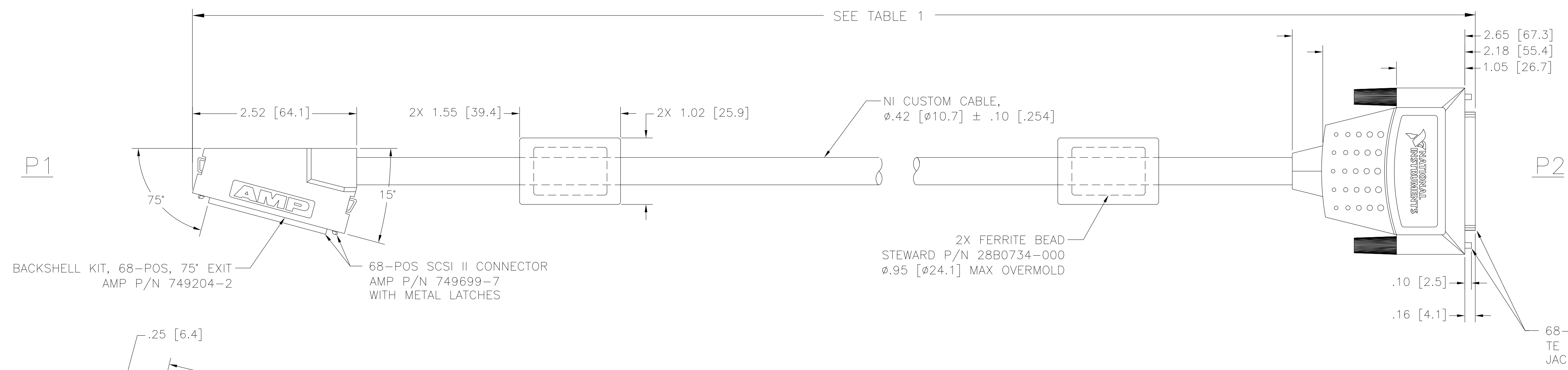


CUSTOMER DRAWING COMPATIBILITY			
REV	DESCRIPTION	DATE	APPROVED
A	DRAWING COMPATIBLE, OBSOLETE		
B	DRAWING COMPATIBLE, RELEASED		



BEND RADIUS EXAMPLE

CONDUCTOR SPECIFICATIONS:

CONDUCTOR: 28 AWG 7/36 TIN PLATED COPPER, .015 INCH DIAMETER
 INSULATION: .0075 INCHES OF POLYPROPYLENE, .030 INCH DIAMETER

CONDUCTOR: 20 AWG 10/30 TIN PLATED COPPER, .036 INCH DIAMETER
 INSULATION: .0065 INCHES OF HIGH DENSITY POLYPROPYLENE, .049 INCH DIAMETER

BEND RADIUS: 12X CABLE DIAMETER (SEE EXAMPLE) PER SPECIFICATIONS
 2014 NEC SECTION 300.34 CONDUCTOR BEND RADIUS
 2014 NEC SECTION 300.24 BENDING RADIUS

1. REFER TO PRODUCT MANUAL ON NI.COM FOR MORE DETAILS.
 NOTES: UNLESS OTHERWISE SPECIFIED.

WIRE LIST		
P1	P2	COLOR CODE
PIN 65	PIN 65	WHITE/BLACK
31	31	BLACK/WHITE
64	64	SHIELD 1
63	63	WHITE/BROWN
30	30	BROWN/WHITE
29	29	SHIELD 2
57	57	WHITE/RED
23	23	RED/WHITE
56	56	SHIELD 3
68	68	WHITE/ORANGE
34	34	ORANGE/WHITE
67	67	SHIELD 4
66	66	WHITE/GREEN
33	33	GREEN/WHITE
32	32	SHIELD 5
58	58	WHITE/BLUE
25	25	BLUE/WHITE
24	24	SHIELD 6
60	60	WHITE/VIOLET
26	26	VIOLET/WHITE
59	59	SHIELD 7
61	61	WHITE/GRAY
28	28	GRAY/WHITE
27	27	SHIELD 8
46	46	BLACK/ORANGE
13	13	ORANGE/BLACK
49	49	BLACK/YELLOW
15	15	YELLOW/BLACK
50	50	BLACK/GREEN
17	17	GREEN/BLACK
52	52	BLACK/BLUE
18	18	BLUE/BLACK
53	53	BLACK/VIOLET
19	19	VIOLET/BLACK
35	35	BLACK/GRAY
1	1	GRAY/BLACK
36	36	BROWN/RED
2	2	RED/BROWN
38	38	BROWN/ORANGE
4	4	ORANGE/BROWN
39	39	BROWN/YELLOW
6	6	YELLOW/BROWN
40	40	BROWN/GREEN
7	7	GREEN/BROWN
43	43	BROWN/BLUE
9	9	BLUE/BROWN
44	44	BROWN/VIOLET
10	10	VIOLET/BROWN
45	45	BROWN/GRAY
12	12	GRAY/BROWN

WIRE LIST (CONT)		
P1	P2	COLOR CODE
22	22	BROWN/BLACK
54	54	SHIELD 9
21	21	RED/BLACK
55	55	SHIELD 10
62	62	WHITE/YELLOW
20	20	RED/BLUE
51	51	BLUE/RED
42	42	RED/VIOLET
48	48	GRAY/RED
11	11	ORANGE/YELLOW
47	47	YELLOW/ORANGE
41	41	ORANGE/GREEN
5	5	GREEN/ORANGE
37	37	ORANGE/BLUE
3	3	BLUE/ORANGE
16	16	ORANGE/VIOLET
8	8	VIOLET/RED
14	14	RED/GRAY
SHELL	SHELL	SHIELD

TABLE 1	
LENGTH	TOLERANCE
<2M	+5 CM/-0 CM
2 TO 5M	+10 CM/-0 CM
>5M	+15 CM/-0 CM

CUSTOMER DRAWING

UNLESS OTHERWISE SPECIFIED DIMENSIONS ARE IN INCHES AND [MILLIMETERS]

DO NOT SCALE DRAWING
THIRD ANGLE PROJECTION

NATIONAL INSTRUMENTS® AUSTIN, TEXAS

TITLE: SH68-68R1-EP

SIZE: D CODE: 7U296 IDENT NO.: 10/05/16 DRAWING NO.: 10/05/16

SCALE: 1/1 SHEET 1 OF 1